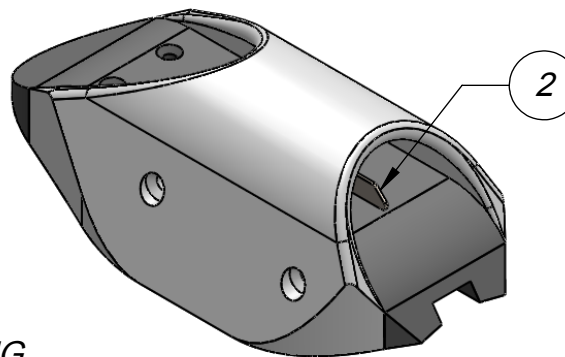
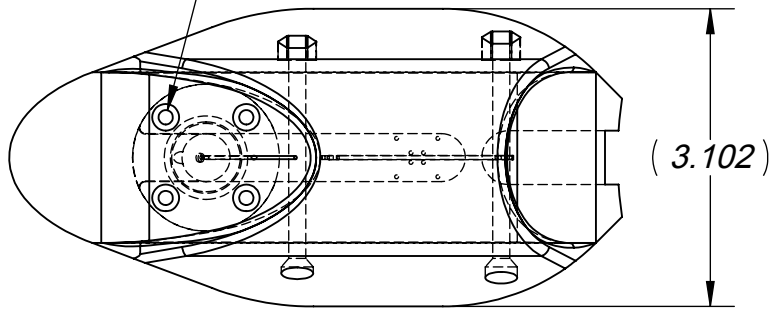
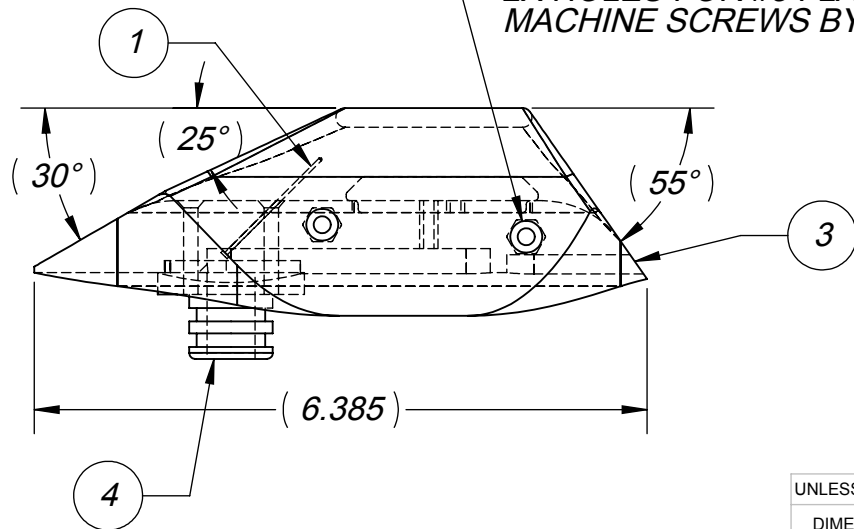


ITEM NO.	QTY.	PART NUMBER	DESCRIPTION	MATERIAL
1	1	01-01-07	THERMISTOR	SS 316
2	1	01-04-05	CERAMIC	CERAMIC
3	1	01-05-01	BASE	PVC
4	1	01-05-02	MOUNT	PVC
5	1	01-05-03	COVER	POLYPROPYLENE

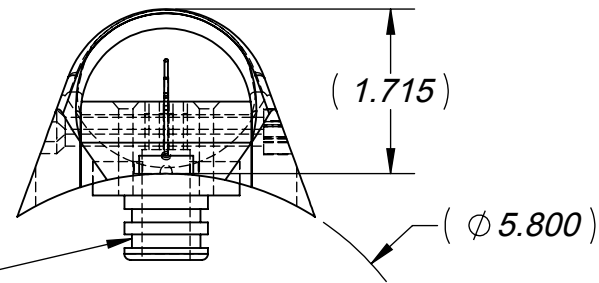
4X HOLES FOR #6 FLATHEAD MACHINE SCREWS



2X HOLES FOR #8 FLATHEAD MACHINE SCREWS BY 2-3/8" LONG



2X O-RING GROOVES FOR PARKER # 2-115



UNLESS OTHERWISE SPECIFIED:

DIMENSIONS ARE IN INCHES	DESIGN	NAME	DATE
TOLERANCES:	CHECKED	E. Schmitt	9/11/2009
FRACTIONAL . . . . . ± 1/16			
ANGULAR . . . . . ± 0.5			
DECIMAL: .XX . . . . . ± 0.01			
.XXX . . . . . ± 0.005			
MATERIAL	PROPRIETARY AND CONFIDENTIAL		
AS NOTED	THE INFORMATION CONTAINED IN THIS DRAWING IS THE SOLE PROPERTY OF NEIL BROWN OCEAN SENSORS, INC. ANY REPRODUCTION IN PART OR AS A WHOLE WITHOUT THE WRITTEN PERMISSION OF NEIL BROWN OCEAN SENSORS, INC. IS PROHIBITED.		
FINISH	SIZE	DWG. NO.	REV
	A	01-05-00	
DO NOT SCALE DRAWING	SCALE: 1:4	WEIGHT:	SHEET 1 OF 5

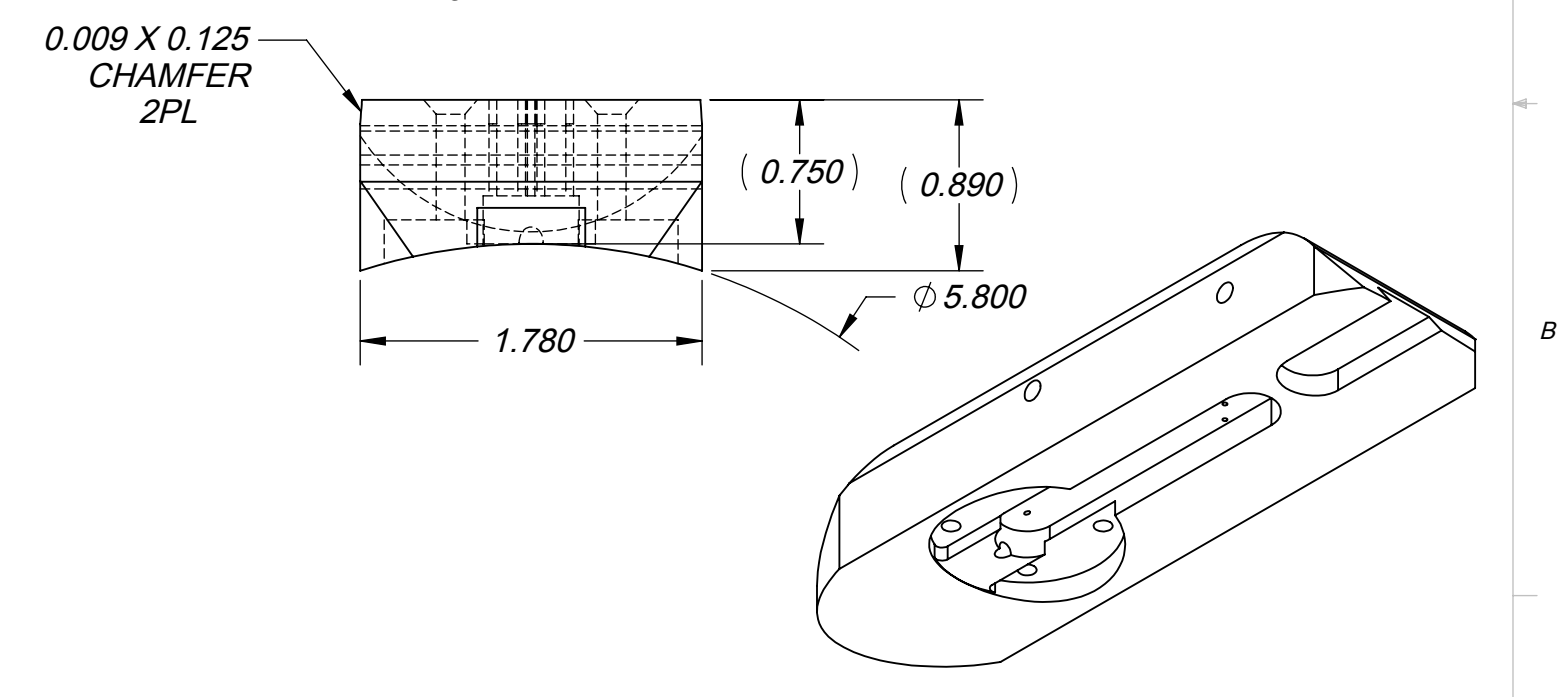
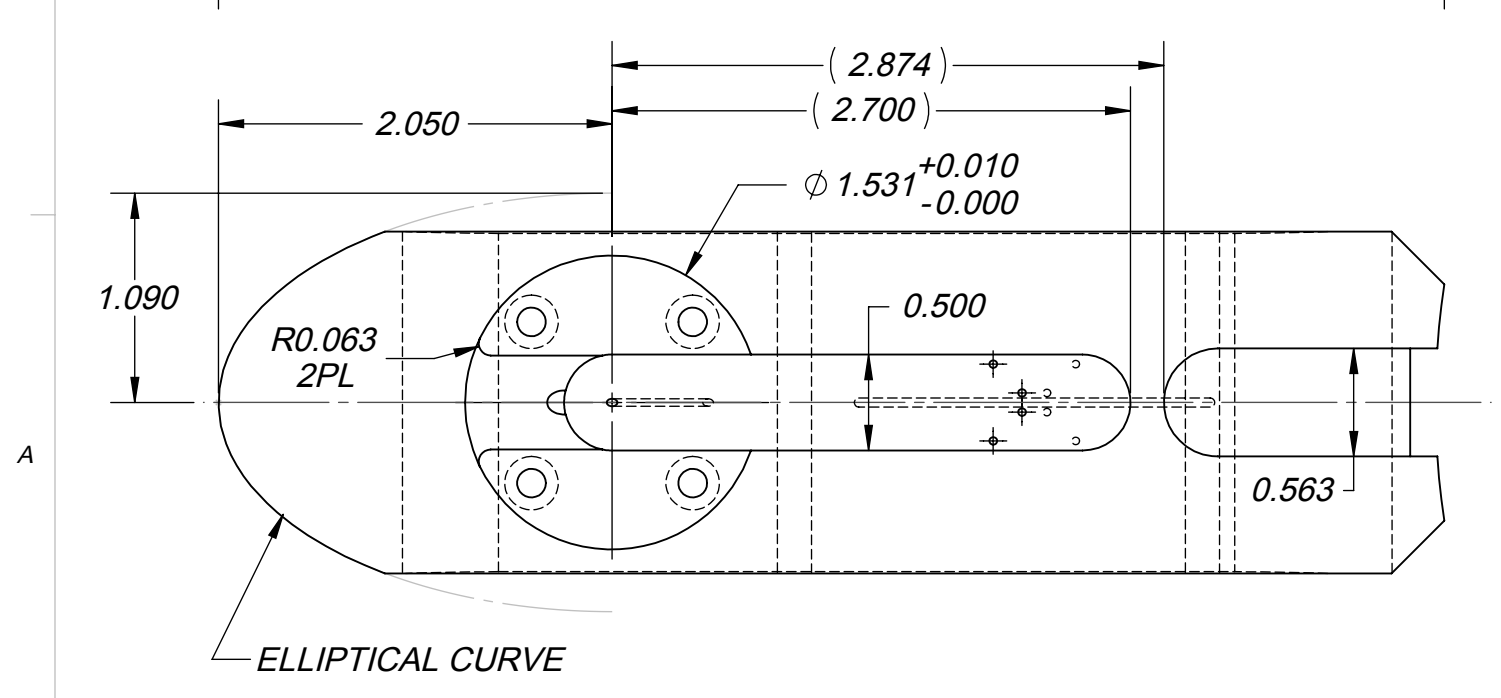
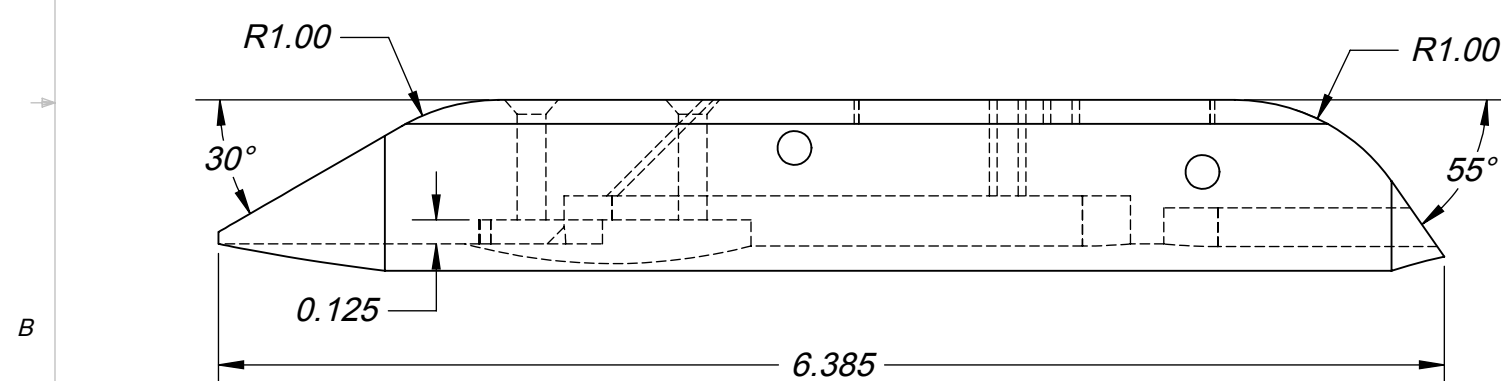
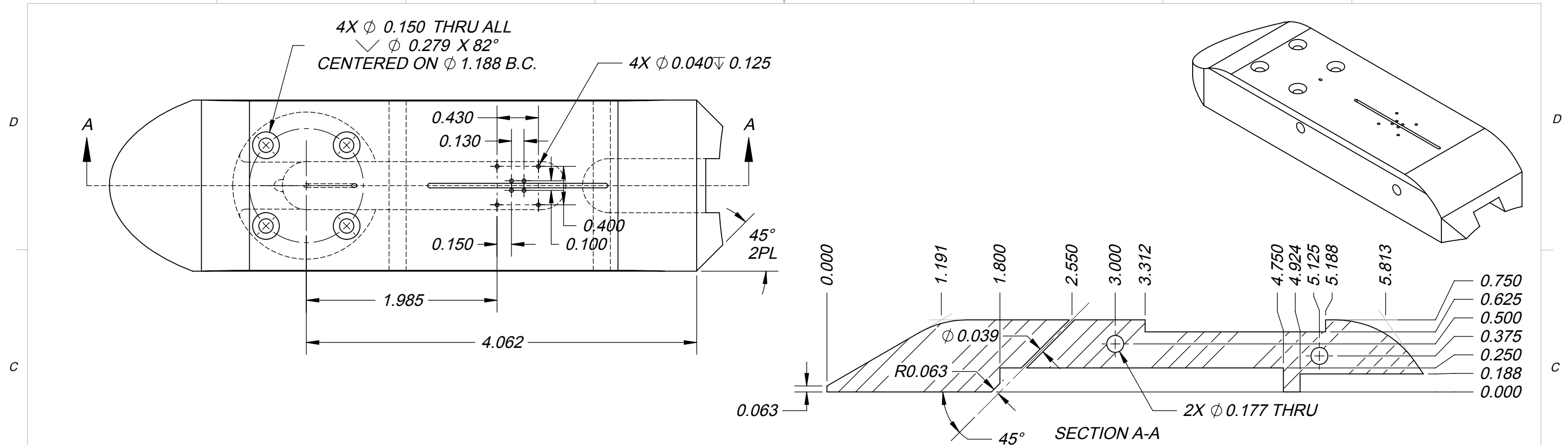
Neil Brown Ocean Sensors, Inc.

TITLE:  
**OCEANSERVER CELL ASSEMBLY**

SIZE DWG. NO. REV  
**A** 01-05-00

SCALE: 1:4 WEIGHT: SHEET 1 OF 5

8 7 6 5 4 3 2 1



UNLESS OTHERWISE SPECIFIED:		NAME	DATE
DIMENSIONS ARE IN INCHES		DESIGN	E. Schmitt 9/10/2009
TOLERANCES:		CHECKED	
FRACTIONAL . . . . . ± 1/16			
ANGULAR . . . . . ± 0.5			
DECIMAL: XX . . . . . ± 0.01			
.XXX . . . . . ± 0.005			
MATERIAL	PVC	<b>PROPRIETARY AND CONFIDENTIAL</b> THE INFORMATION CONTAINED IN THIS DRAWING IS THE SOLE PROPERTY OF NEIL BROWN OCEAN SENSORS, INC. ANY REPRODUCTION IN PART OR AS A WHOLE WITHOUT THE WRITTEN PERMISSION OF NEIL BROWN OCEAN SENSORS, INC. IS PROHIBITED.	
FINISH		SIZE	DWG. NO.
		<b>B</b>	01-05-01
		SCALE: 1:1	WEIGHT:
			SHEET 2 OF 5

Neil Brown Ocean Sensors, Inc.  
 TITLE:  
**OCEANSERVER CELL BASE**

SCALE: 1:1 WEIGHT: SHEET 2 OF 5

8 7 6 5 4 3 2 1

8 7 6 5 4 3 2 1

D

C

B

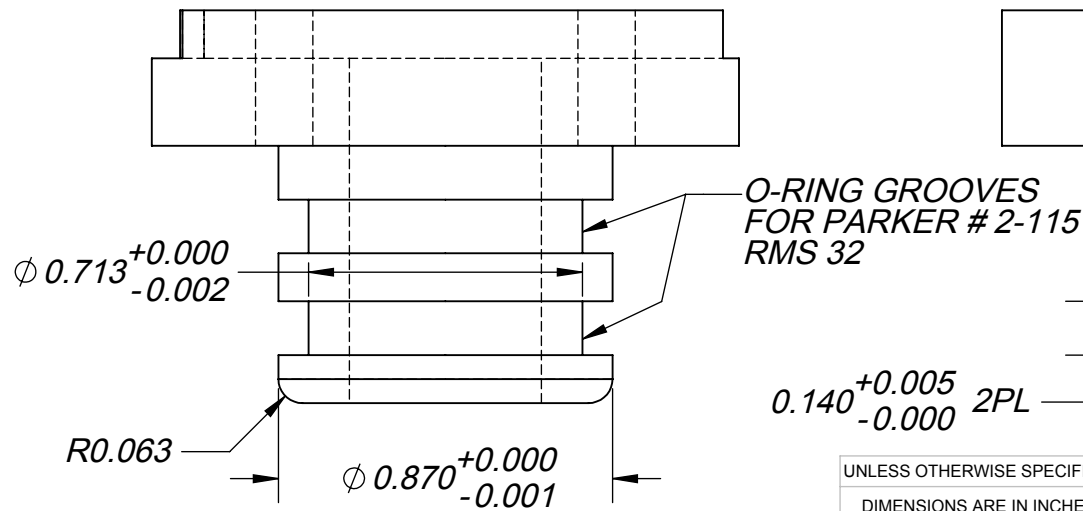
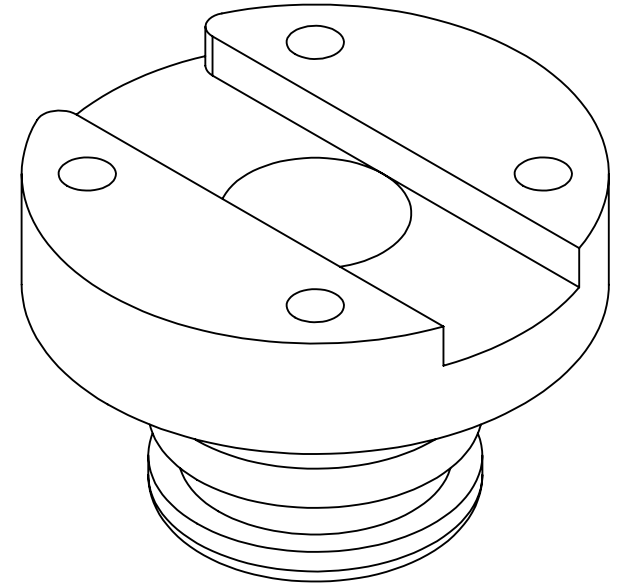
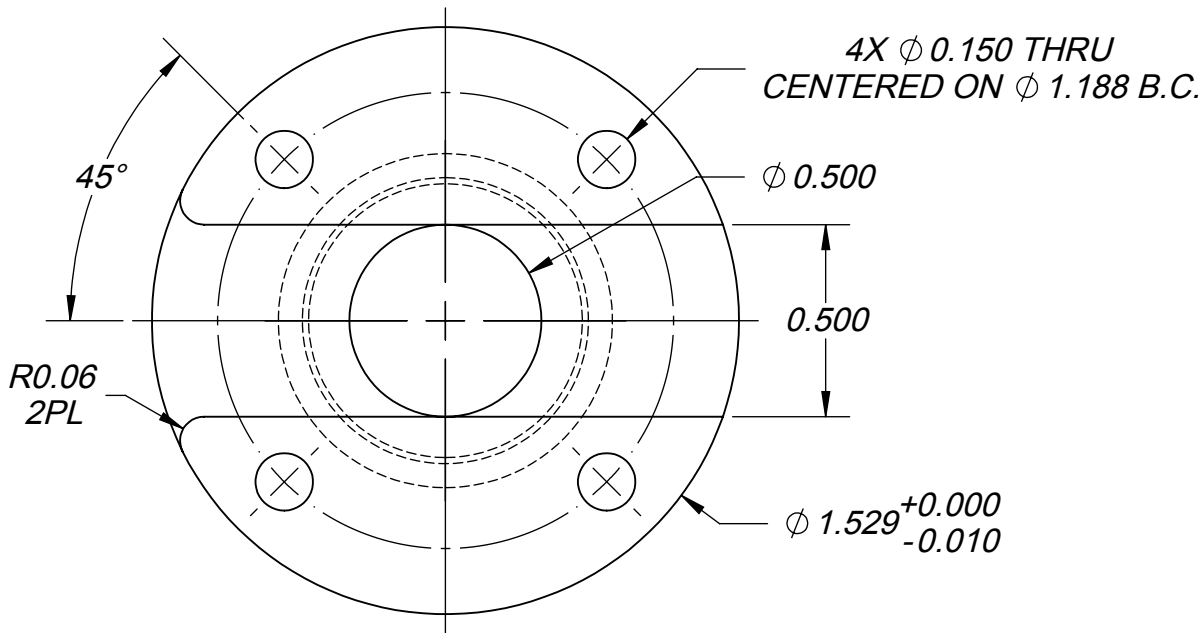
A

D

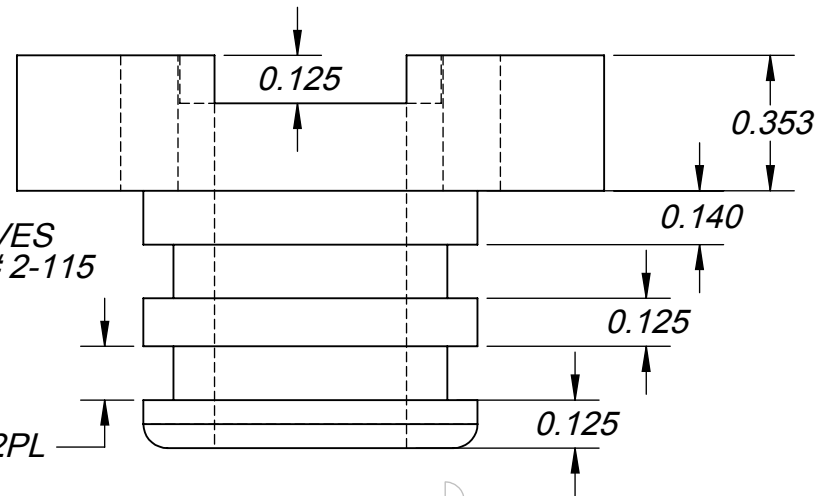
C

B

A



0.140<sup>+0.005</sup><sub>-0.000</sub> 2PL



UNLESS OTHERWISE SPECIFIED:

DIMENSIONS ARE IN INCHES  
 TOLERANCES:  
 FRACTIONAL . . . . . ± 1/16  
 ANGULAR . . . . . ± 0.5  
 DECIMAL: .XX . . . . . ± 0.01  
 .XXX . . . . . ± 0.005

MATERIAL  
 PVC

FINISH

DO NOT SCALE DRAWING

NAME DATE

DESIGN E. Schmitt 9/10/2009

CHECKED

Neil Brown Ocean Sensors, Inc.

TITLE:  
**OCEANSERVER CELL MOUNT**

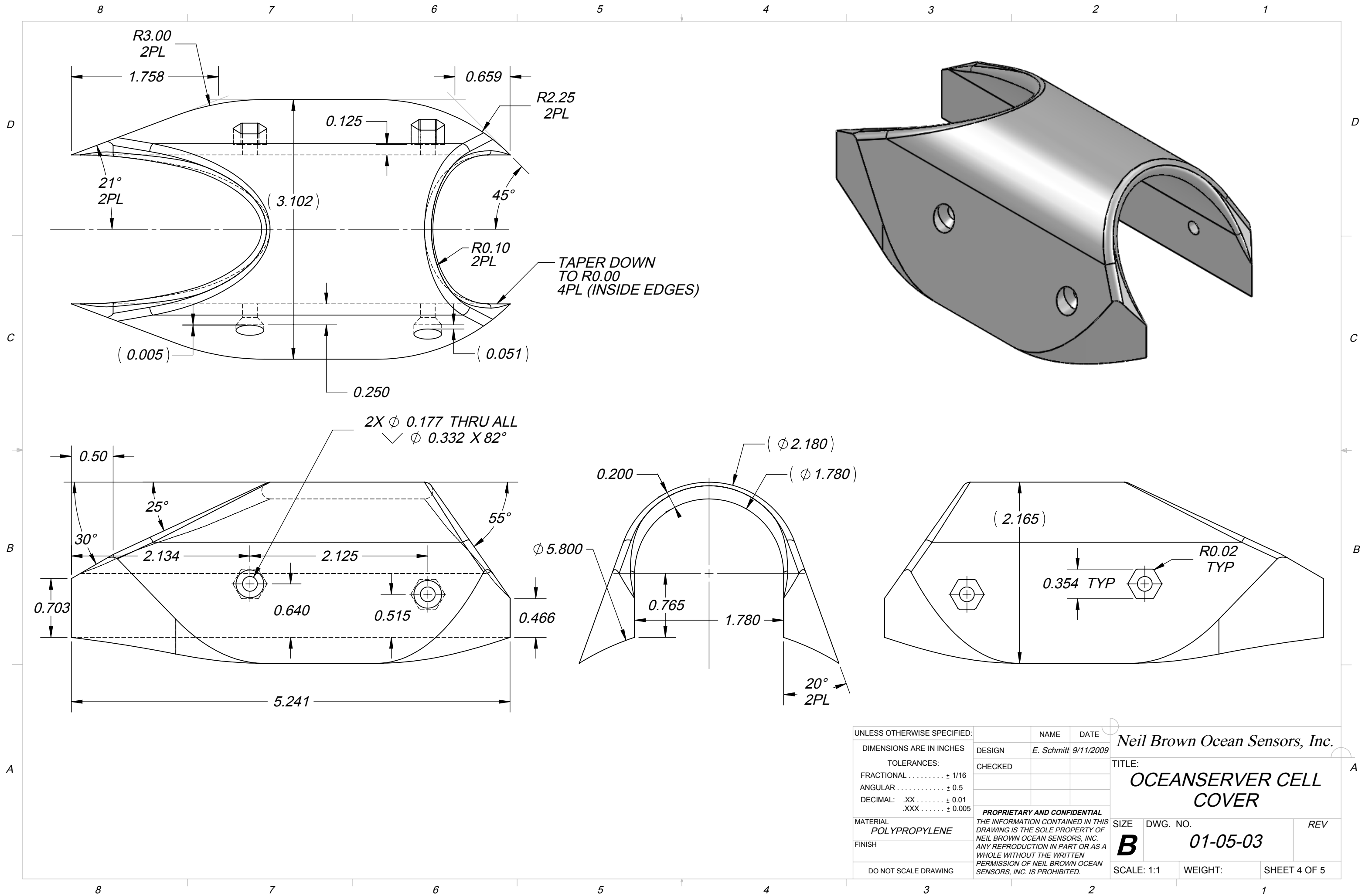
SIZE DWG. NO. REV

**A** 01-05-02

SCALE: 1:4 WEIGHT: SHEET 3 OF 5

**PROPRIETARY AND CONFIDENTIAL**  
 THE INFORMATION CONTAINED IN THIS DRAWING IS THE SOLE PROPERTY OF NEIL BROWN OCEAN SENSORS, INC. ANY REPRODUCTION IN PART OR AS A WHOLE WITHOUT THE WRITTEN PERMISSION OF NEIL BROWN OCEAN SENSORS, INC. IS PROHIBITED.

8 7 6 5 4 3 2 1



R3.00  
2PL

1.758

0.659

R2.25  
2PL

0.125

21°  
2PL

(3.102)

45°

R0.10  
2PL

TAPER DOWN  
TO R0.00  
4PL (INSIDE EDGES)

(0.005)

(0.051)

0.250

2X  $\phi$  0.177 THRU ALL  
 $\surd$   $\phi$  0.332 X 82°

0.50

25°

30°

2.134

2.125

$\phi$  5.800

0.200

( $\phi$  2.180)

( $\phi$  1.780)

0.765

1.780

20°  
2PL

(2.165)

R0.02  
TYP

0.354 TYP

0.703

0.640

0.515

0.466

5.241

UNLESS OTHERWISE SPECIFIED:		NAME	DATE
DIMENSIONS ARE IN INCHES		DESIGN	E. Schmitt 9/11/2009
TOLERANCES:		CHECKED	
FRACTIONAL . . . . . ± 1/16			
ANGULAR . . . . . ± 0.5			
DECIMAL: XX . . . . . ± 0.01			
.XXX . . . . . ± 0.005			
MATERIAL	<b>PROPRIETARY AND CONFIDENTIAL</b>		
POLYPROPYLENE	THE INFORMATION CONTAINED IN THIS DRAWING IS THE SOLE PROPERTY OF NEIL BROWN OCEAN SENSORS, INC. ANY REPRODUCTION IN PART OR AS A WHOLE WITHOUT THE WRITTEN PERMISSION OF NEIL BROWN OCEAN SENSORS, INC. IS PROHIBITED.		
FINISH	SIZE	DWG. NO.	REV
	<b>B</b>	01-05-03	
DO NOT SCALE DRAWING	SCALE: 1:1	WEIGHT:	SHEET 4 OF 5

Neil Brown Ocean Sensors, Inc.

TITLE:  
**OCEANSERVER CELL COVER**

SIZE DWG. NO. REV  
**B** 01-05-03

SCALE: 1:1 WEIGHT: SHEET 4 OF 5